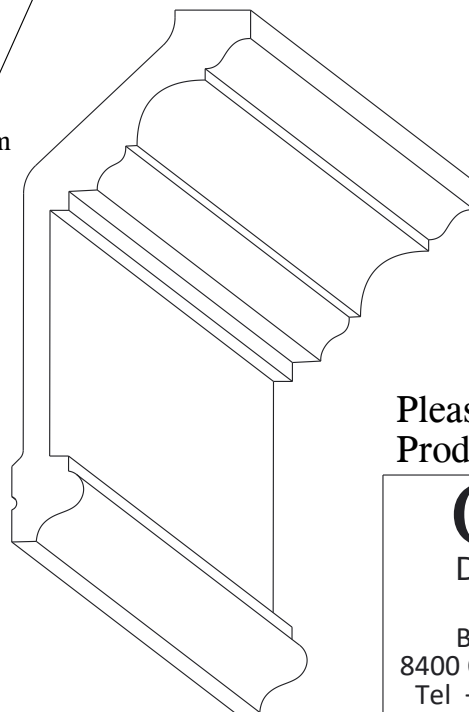
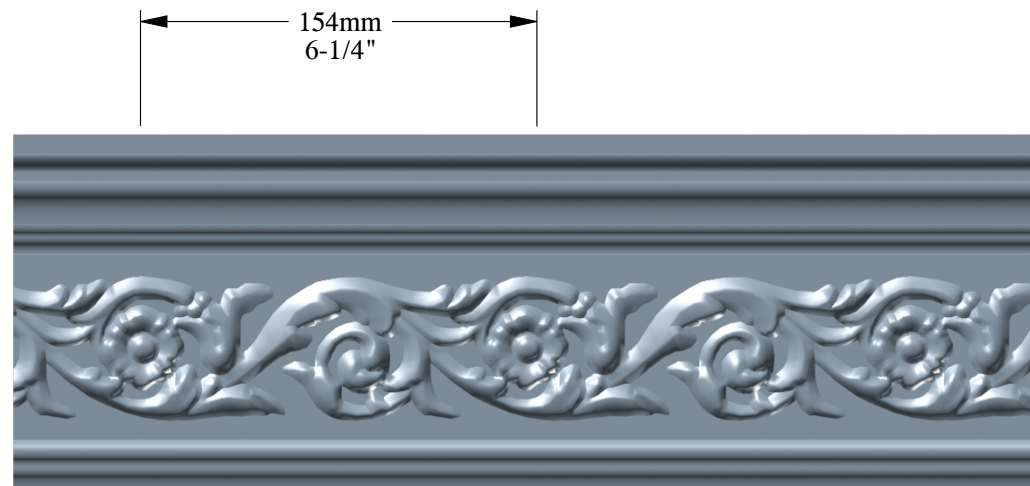


SCALE 1:1



SCALE 1:2



SCALE 1:3

**Please beware:**  
**Product is visualised in this drawing without ornamentation**

**ORAC<sup>®</sup>**  
 DECOR

Biekorfstraat 32  
 8400 Oostende - Belgium  
 Tel +32 (0)59 80 32 52  
[www.oracdecor.com](http://www.oracdecor.com)  
[info@oracdecor.com](mailto:info@oracdecor.com)

Part name: C303

Designed by: ORAC

Designed on: 25-Jun-2004

Unless otherwise specified: all dimensions are in millimeters and inches, scale 1:1, length 2 meters

All information in this document is Orac's exclusive property. It may in no case be reproduced, even partly, be communicated to a third party or used for any possible purpose without ORAC's express written permission. Further legal information can be found at <https://www.oracdecor.com/en/general-sales-conditions>

Version: 1.0